

# AS Technologies



# Board Handling Equipment

---

**AS Technologies GmbH**

01.09.2019

AS Technologies GmbH  
Bitzestr. 13  
72336 Balingen  
[www.astechnologies.de](http://www.astechnologies.de)

Ansprechpartner:  
Peter Spieß  
Telefon: +49 7433 513  
Telefax: +49 7433 8107  
Mobil: +49 1725808580

### Product Contents

<b><u>Magazine Loader and Unloader</u></b>	Multi Magazine Loader.....	2
	Multi Magazine Unloader .....	4
	Single Magazine Loader .....	6
	Single Magazine Unloader .....	8
<b><u>Conveyor</u></b>	PCB Conveyor 500mm .....	10
	PCB Conveyor 1000mm .....	12
<b><u>NG/OK Unloader</u></b>	PCB NG/OK Unloader.....	14
<b><u>Bare Board Loader and Unloader</u></b>	PCB Destacker.....	16
	PCB Push-up Stacker .....	18
	Vacuum Bare Board Loader.....	20
<b><u>Turn Conveyor</u></b>	PCB Turn Conveyor L-type .....	22
<b><u>Inverter</u></b>	PCB Inverter .....	24
<b><u>Buffer</u></b>	Multifunction PCB Buffer .....	26
	Single Magazine Buffer .....	28
<b><u>Traverser</u></b>	PCB Traverser .....	30
<b><u>Reject Conveyor</u></b>	PCB Reject Conveyor .....	32
	AOI Rework Conveyor .....	34
<b><u>Gate Conveyor</u></b>	Telescopic Gate Conveyor.....	36
	Lowering Gate Conveyor .....	38
	Manual Lift Gate Conveyor .....	40
<b><u>Wave Solder Conveyor</u></b>	Wave Solder Infeed Conveyor .....	42
	Wave Solder Outfeed Conveyor.....	44
	Flat Belt Conveyor.....	46
<b><u>Adjustable Loader and Unloader</u></b>	Adjustable Multi Magazine Loader .....	47
	Adjustable Multi Magazine Unloader.....	49

### Multi Magazine Loader



### Application

The **Multi Magazine Loader** is used at the starting of the line for loading of PCB's to the production line. The unit loads the production line automatically by pushing PCB's out of a magazine onto the conveyor of the downstream machine.

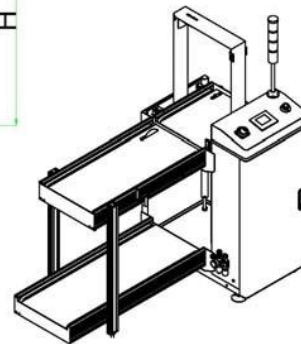
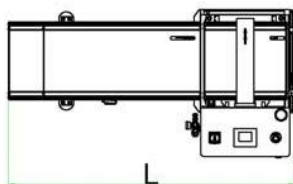
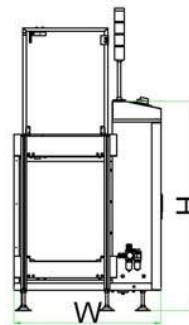
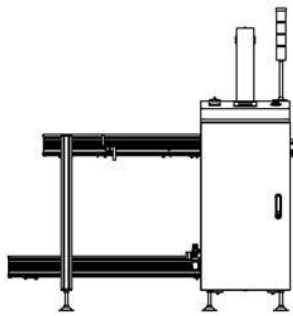
### Features

- Controlled by Omron PLC.
- Easy operation by touch screen.
- Multiple pitches selectable.
- Automatic magazine change-over.
- Tower light display for machine status.
- 3 magazines loading capability.
- SMEMA interface.
- CE certified.

### Specifications

Model	ML-250A-CT	ML-330A-CT	ML-390A-CT	ML-460A-CT
Size	M	L	LL	XL
Power	AC 110/220V $\pm$ 10V, 50/60HZ			
Air Pressure	4 - 6 kgf/cm <sup>2</sup>			
Fixed Rail	Front			
PCB Size	350x(50 - 250)mm	460x(50 - 330)mm	535x(50 - 390)mm	535x(50 - 460)mm
Transfer Height	900 $\pm$ 20mm or Specify			
Transfer Direction	left to right or right to left(option)			
Magazine Rack Size	350x320x563mm	460x400x563mm	535x460x570mm	535x530x570mm
Pitches	1 - 50, 10mm pitch			
Machine Dimension	1365x765x1200mm	1650x850x1200mm	1745x910x1200mm	1745x980x1200mm
Machine Weight	220kg	240kg	260kg	270kg

\* Other options available on request.



### Multi Magazine Unloader



#### Application

The **Multi Magazine Unloader** is used at the end of the line for unloading of PCB's from the production line. An arriving PCB is taken up by the attached conveyor and then pushed into the magazine by the pusher. The magazine indexes to the next position and is ready for the following unloading cycle.

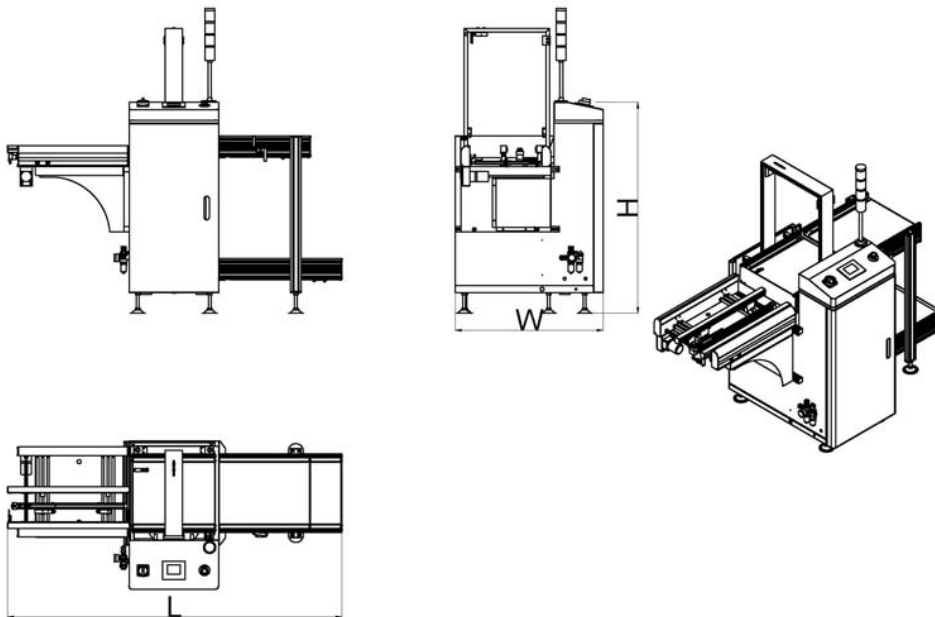
#### Features

- Controlled by Omron PLC.
- Easy operation by touch screen.
- Multiple pitches selectable.
- Automatic magazine change-over.
- Tower light display for machine status.
- 3 magazines loading capability.
- SMEMA interface.
- CE certified.

### Specifications

Model	MU-250A-CT	MU-330A-CT	MU-390A-CT	MU-460A-CT
Size	M	L	LL	XL
Power	AC 110/220V $\pm$ 10V, 50/60HZ			
Air Pressure	4 - 6 kgf/cm <sup>2</sup>			
Fixed Rail	Front			
PCB Size	350x(50 - 250)mm	460x(50 - 330)mm	535x(50 - 390)mm	535x(50 - 460)mm
Transfer Height	900 $\pm$ 20mm or Specify			
Transfer Direction	left to right or right to left(option)			
Magazine Rack Size	350x320x563mm	460x400x563mm	535x460x570mm	535x530x570mm
Pitches	1 - 50, 10mm pitch			
Machine Dimension	1685x745x1200mm	1920x820x1200mm	2165x880x1200mm	2165x950x1200mm
Machine Weight	240kg	270kg	290kg	310kg

\* Other options available on request.



### Single Magazine Loader



### Application

The **Single Magazine Loader** is used at the starting of the line for loading of PCB's to the production line. The unit loads the production line automatically by pushing PCB's out of a magazine onto the conveyor of the down-stream machine.

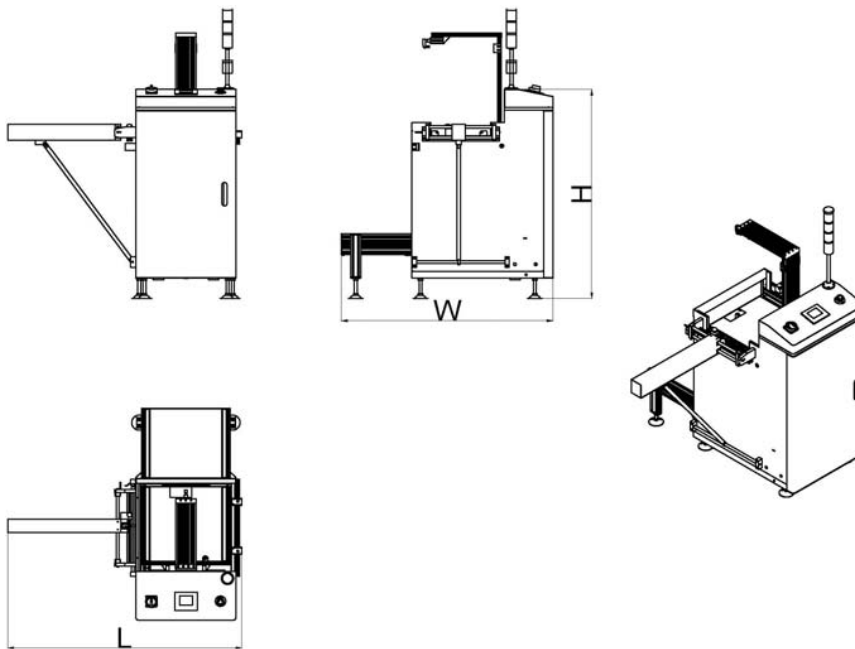
### Features

- Controlled by Omron PLC.
- Easy operation by touch screen.
- Multiple pitches selectable.
- Tower light display for machine status.
- 1 magazine loading capability, discharge magazine from the rear of machine.
- SMEMA interface.
- CE certified.

### Specifications

Model	ML-250A-ST	ML-330A-ST	ML-390A-ST	ML-460A-ST
Size	M	L	LL	XL
Power	AC 110/220V $\pm$ 10V, 50/60HZ			
Air Pressure	4 - 6 kgf/cm <sup>2</sup>			
Fixed Rail	Front			
PCB Size	350x(50 - 250)mm	460x(50 - 330)mm	535x(50 - 390)mm	535x(50 - 460)mm
Transfer Height	900 $\pm$ 20mm or Specify			
Transfer Direction	left to right or right to left(option)			
Magazine Rack Size	350x320x563mm	460x400x563mm	535x460x570mm	535x530x570mm
Pitches	1 - 50, 10mm pitch			
Machine Dimension	1140x1060x1200mm	1350x1220x1200mm	1525x1340x1200mm	1525x1480x1200mm
Machine Weight	170kg	190kg	210kg	230kg

\* Other options available on request.





### Single Magazine Unloader



### Application

The **Single Magazine Unloader** is used at the end of the line for unloading of PCB's from the production line. An arriving PCB is taken up by the attached conveyor and then pushed into the magazine by the pusher. The magazine indexes to the next position and is ready for the following unloading cycle.

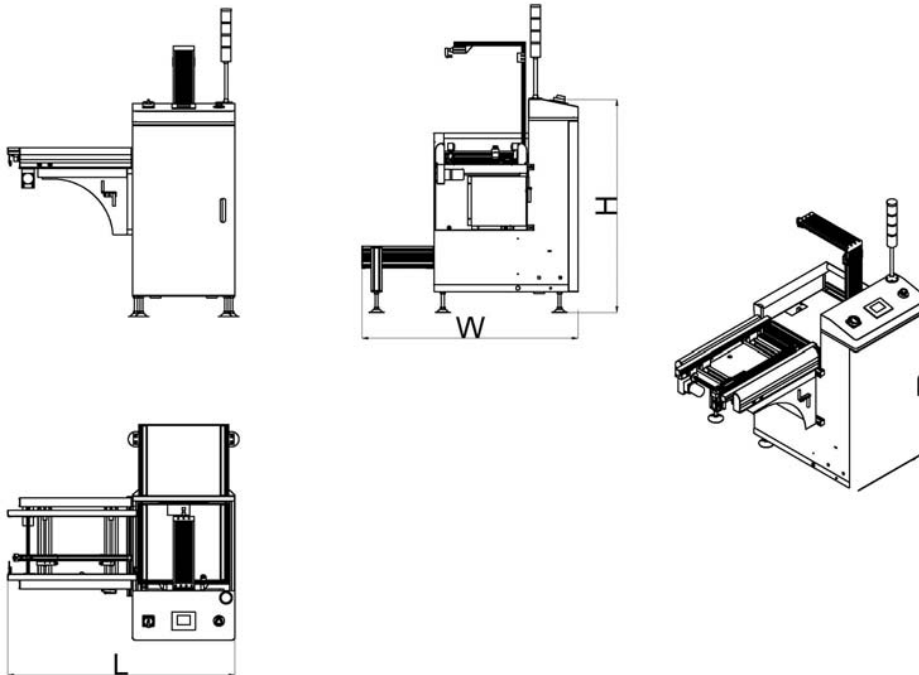
### Features

- Controlled by Omron PLC.
- Easy operation by touch screen.
- Multiple pitches selectable.
- Tower light display for machine status.
- 1 magazine loading capability, discharge magazine from the rear of machine.
- SMEMA interface.
- CE certified.

### Specifications

Model	MU-250A-ST	MU-330A-ST	MU-390A-ST	MU-460A-ST
Size	M	L	LL	XL
Power	AC 110/220V $\pm$ 10V, 50/60HZ			
Air Pressure	4 - 6 kgf/cm <sup>2</sup>			
Fixed Rail	Front			
PCB Size	350x(50 - 250)mm	460x(50 - 330)mm	535x(50 - 390)mm	535x(50 - 460)mm
Transfer Height	900 $\pm$ 20mm or Specify			
PCB Direction	left to right or right to left(option)			
Magazine Rack Size	350x320x563mm	460x400x563mm	535x460x570mm	535x530x570mm
Pitches	1 - 50, 10mm pitch			
Machine Dimension	1120x1060x1200mm	1280x1220x1200mm	1460x1340x1200mm	1460x1480x1200mm
Machine Weight	200kg	210kg	230kg	250kg

\* Other options available on request.



### PCB Conveyor 500mm



### Application

The **PCB Conveyor** is used in the PCB assembly line when frequent visual inspection of PCB's is required, can be used as an Inspection conveyor or a Linking conveyor.

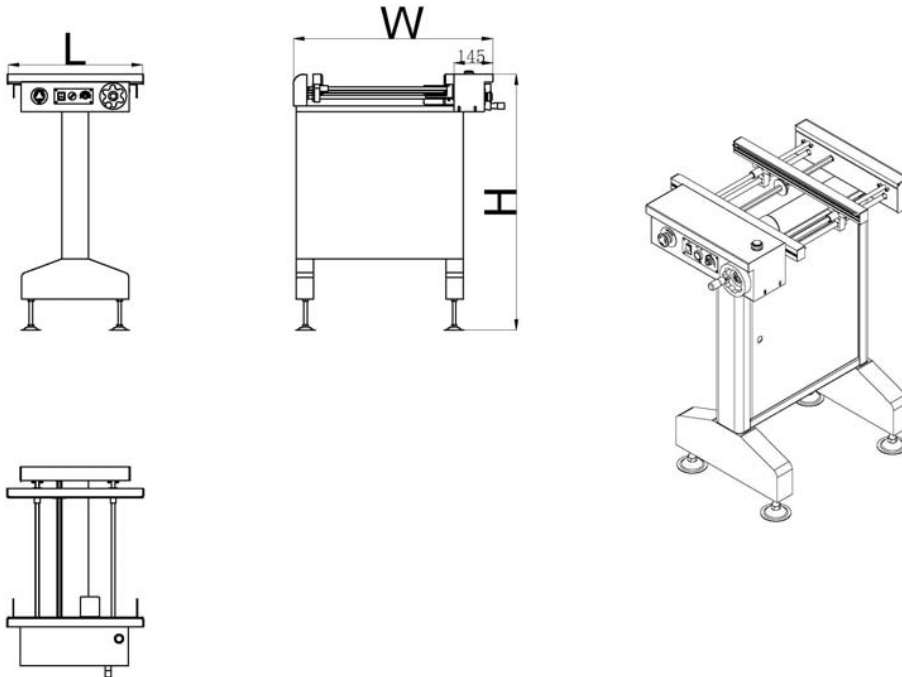
### Features

- PLC Control system.
- Metal fabricated frame.
- Width adjustment system by hand crank.
- Motorized width adjustment by switch, Automatic width adjustment by touch screen setting, Automatic width adjustment by follow me system available on request.
- Variable speed control.
- Inspection and by pass mode selectable.
- Muti-zone concept available on request.
- SMEMA compliant.
- CE certified.

### Specifications

Model	C-50LD-M	C-50LD-L	C-50LJ-M	C-50J-L
Conveyor Length	500mm	500mm	500mm	500mm
Power	AC 110/220V $\pm$ 10V, 50/60HZ			
Fixed Rail	Front			
PCB Width	50 - 350mm	50 - 460mm	50 - 350mm	50 - 460mm
Transfer Speed	1 - 12m/min adjustable			
Transfer Height	900 $\pm$ 20mm			
Transfer Direction	left to right or right to left (option)			
Working Light	N	N	Y	Y
Machine Dimension	500 x 650 x 900mm	500 x 750 x 900mm	500 x 650 x 1800mm	500 x 750 x 1800mm
Machine Weight	50kg	58kg	60kg	68kg

\* Other options available on request.



### PCB Conveyor 1000mm



#### Application

The **PCB Conveyor** is used in the PCB assembly line when frequent visual inspection of PCB's is required, can be used as an Inspection conveyor or a Linking conveyor.

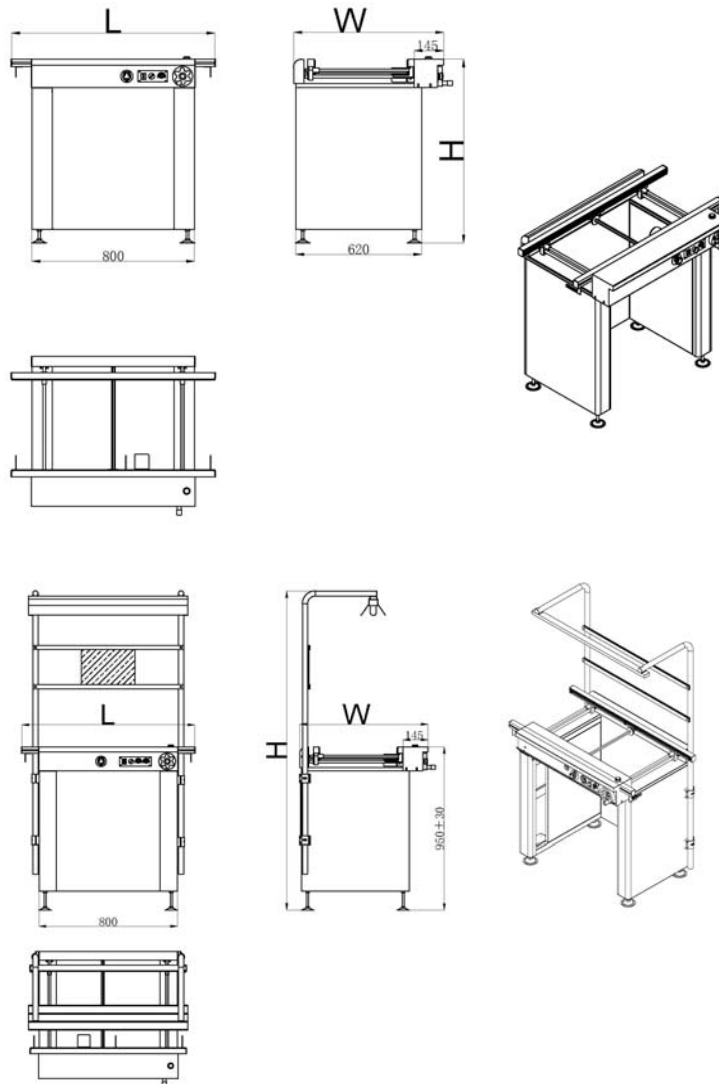
#### Features

- PLC Control system.
- Metal fabricated frame.
- Width adjustment system by hand crank.
- Motorized width adjustment by switch, Automatic width adjustment by touch screen setting, Automatic width adjustment by follow me system available on request.
- Variable speed control.
- Inspection and by pass mode selectable.
- Muti-zone concept available on request.
- SMEMA compliant.
- CE certified.

### Specifications

Model	C-100LD-M	C-100LD-L	C-100LJ-M	C-100J-L
Conveyor Length	1000mm	1000mm	1000mm	1000mm
Power	AC 110/220V $\pm$ 10V, 50/60HZ			
Fixed Rail	Front			
PCB Width	50 - 350mm	50 - 460mm	50 - 350mm	50 - 460mm
Transfer Speed	1 - 12m/min adjustable			
Transfer Height	900 $\pm$ 20mm			
Transfer Direction	left to right or right to left (option)			
Working Light	N	N	Y	Y
Machine Dimension	1000 x 650 x 900mm	1000 x 750 x 900mm	1000 x 650 x 1800mm	1000 x 750 x 1800mm
Machine Weight	70kg	78kg	82kg	90kg

\* Other options available on request.



### PCB NG/OK Unloader



### Application

The **PCB NG/OK Unloader** is used for good/bad PCB separation. The PCB's are collected from upstream machine onto a shuttle conveyor and pushed into designated magazine. Shuttle conveyor moves sideways between upstream machine and magazines.

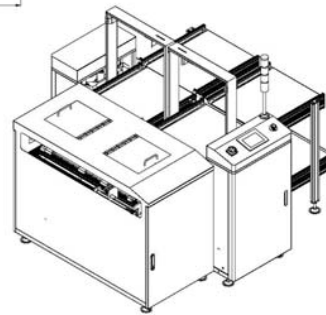
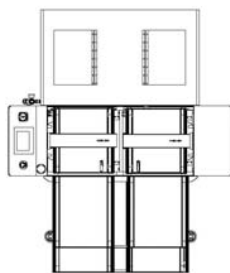
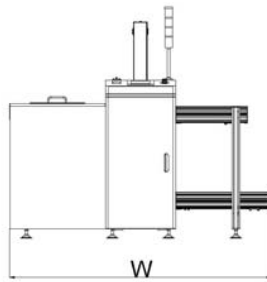
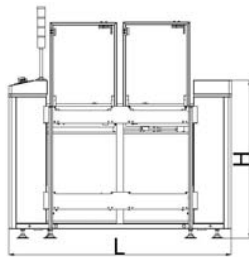
### Features

- Controlled by Omron PLC.
- Easy operation by touch screen.
- Good and bad PCB's can be separated automatically with magazine rack.
- Multiple pitches selectable, automatic magazine change-over.
- Tower light display for machine status.
- 3 magazines for good PCB's, 3 magazines for bad PCB's loading capability.

### Specifications

Model	UNG-250A-CT	UNG-330A-CT	UNG-390A-CT	UNG-460A-CT
Size	M	L	LL	XL
Power	AC 110/220V $\pm$ 10V, 50/60HZ			
Air Pressure	4 - 6 kgf/cm <sup>2</sup>			
Fixed Rail	Front			
PCB Size	350x(50 - 250)mm	460x(50 - 330)mm	535x(50 - 390)mm	535x(50 - 460)mm
Transfer Height	900 $\pm$ 20mm or Specify			
Transfer Direction	left to right or right to left(option)			
Magazine Rack Size	350x320x563mm	460x400x563mm	535x460x570mm	535x530x570mm
Pitches	1 - 50, 10mm pitch			
Machine Dimension	1680x1460x1200mm	1890x1630x1200mm	2160x1760x1200mm	2160x1900x1200mm
Machine Weight	300kg	340kg	390kg	410kg

\* Other options available on request.





### PCB Destacker



### Application

The **PCB Destacker** is used for loading bare board onto the PCB assembly line. A large stack of boards are placed above the ESD belt conveyor, the mechanism separates the bottom PCB from the stacker and lowers it onto the edge belt conveyor.

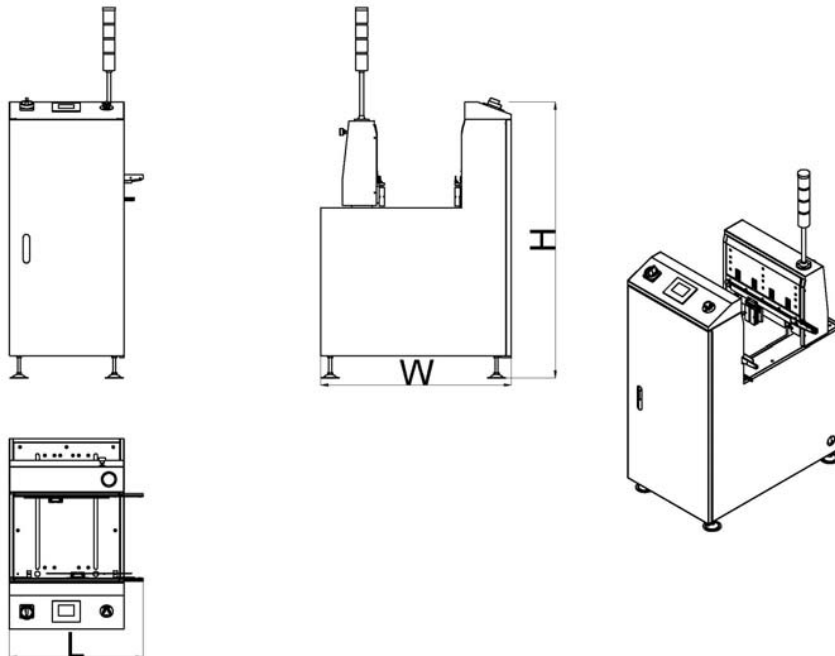
### Features

- Controlled by Omron PLC.
- Easy operation by touch screen.
- Large capacity.
- By pass mode selectable without removing PCB stack.
- Motorized width adjustment by touch screen button.
- Tower light display for machine status.

### Specifications

Model	DU-350A-CT	DU-460A-CT
Power Supply	AC 110/220V $\pm$ 10V, 50/60HZ	
Air Supply	4 - 6 kgf/cm <sup>2</sup>	
Fixed Rail	Front	
PCB Size	460x(50 - 350)mm	535x(50 - 460)mm
Transfer Height	900 $\pm$ 20mm	
Transfer Direction	left to right or right to left(option)	
Machine Dimension	600x850x1270mm	600x950x1270mm
Machine Weight	190kg	230kg

\* Other options available on request.



### PCB Push-up Stacker



#### Application

The **Push-up Stacker** is used for restacking un-populated boards at the end of the line. Stacking is done by a pneumatic lifter, which gently raises the PCB's from the belt conveyor and adds the PCB, one by one, to the bottom of the stack..

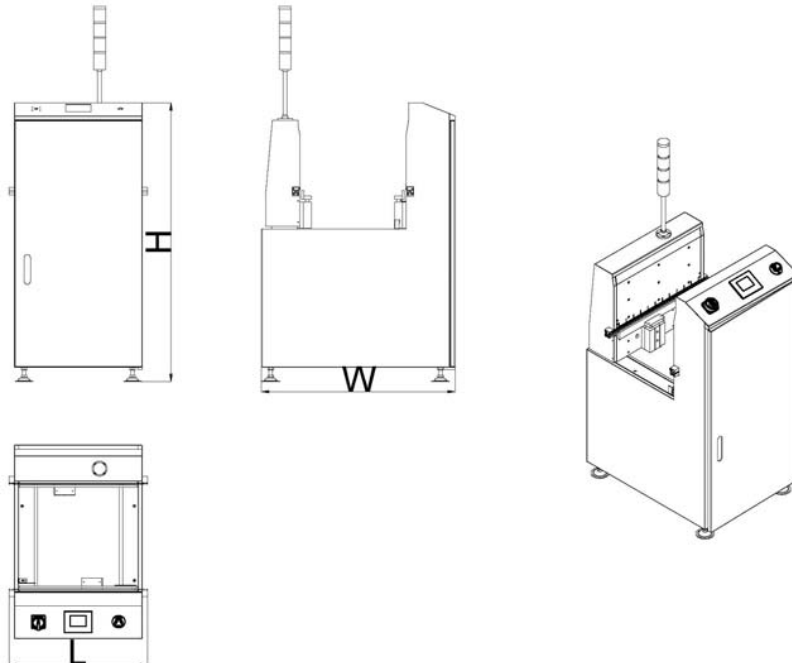
#### Features

- Controlled by Omron PLC.
- Easy operation by touch screen.
- Large capacity.
- Motorized width adjustment by touch screen button.
- Tower light display for machine status.
- SMEMA interface.
- CE certified.

### Specifications

Model	SU-350A-CT	SU-460A-CT
Power Supply	AC 110/220V $\pm$ 10V, 50/60HZ	
Air Supply	4 - 6 kgf/cm <sup>2</sup>	
Fixed Rail	Front	
PCB Size	460x(50 - 350)mm	535x(50 - 460)mm
Transfer Height	900 $\pm$ 20mm	
Transfer Direction	left to right or right to left(option)	
Machine Dimension	650x810x1270mm	650x910x1270mm
Machine Weight	150kg	180kg

\* Other options available on request.



### Vacuum Bare Board Loader



#### Application

The **Bare Board Loader** is used for automatically loading unpopulated boards at the beginning, or in the middle of a PCB assembly line. A stack of bare boards is placed underneath the belt conveyor. The bare boards are lifted one by one from the stack by vacuum and are gently lowered onto the belt segment ready for the downstream machine.

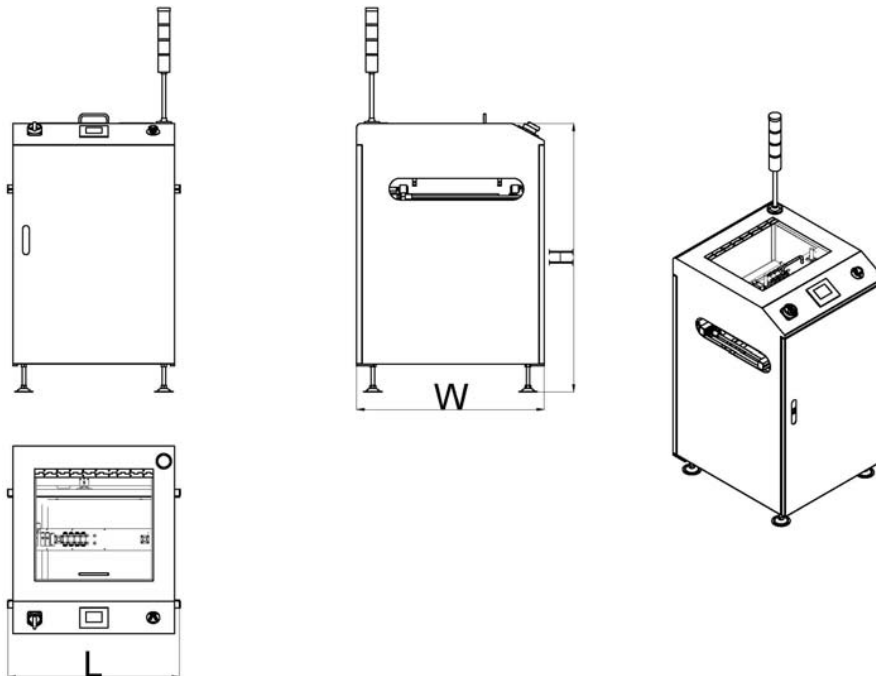
#### Features

- Controlled by Omron PLC.
- Easy operation by touch screen.
- Large capacity.
- By pass mode selectable without removing PCB stack.
- Flexible suction design, suction position adjustable.
- Width adjustment system by hand crank.
- Tower light display for machine status.
- SMEMA interface.
- CE certified.

### Specifications

Model	SL-350A-CT	SL-460A-CT
Power Supply	AC 110/220V $\pm$ 10V, 50/60HZ	
Air Supply	4 - 6 kgf/cm <sup>2</sup>	
Fixed Rail	Front	
PCB Size	460x(50 - 350)mm	535x(50 - 460)mm
Transfer Height	900 $\pm$ 20mm	
Transfer Direction	left to right or right to left(option)	
Machine Dimension	700x735x1250mm	800x870x1250mm
Machine Weight	150kg	190kg

\* Other options available on request.



### PCB Turn Conveyor L-type



#### Application

The 90° PCB Turn Conveyor is used for changing the direction of flow of a PCB assembly line. The PCB is transferred onto the built-in belt conveyor which turns either 90° clockwise or counter clockwise.

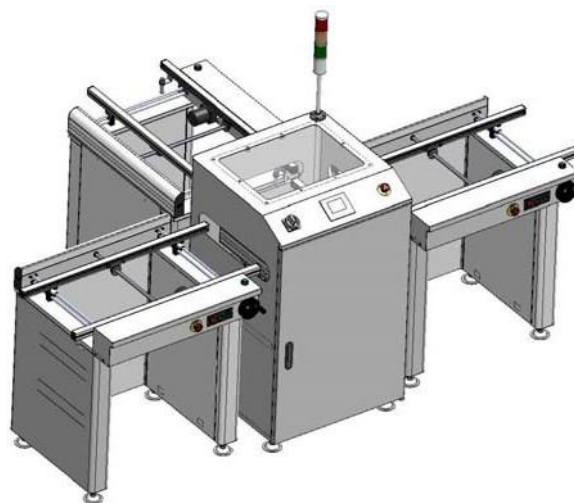
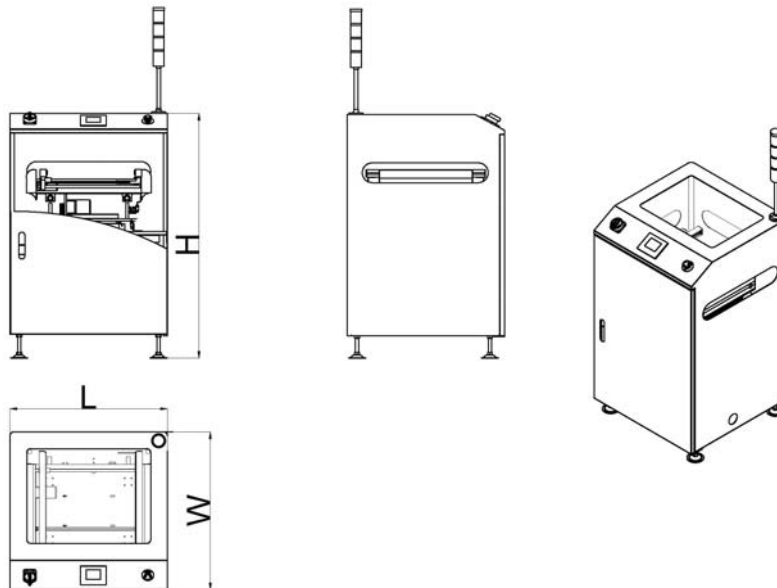
#### Features

- Controlled by Omron PLC.
- Easy operation by touch screen.
- By pass mode selectable.
- Width adjustment system by hand crank.
- Sensor protection more safely.
- It's controlled with motor, rotate smoothly and accurately.
- Tower light display for machine status.
- SMEMA compliant.
- CE certified.

### Specifications

Model	TC-350A-CT	TC-460A-CT
Power Supply	AC 110/220V $\pm$ 10V, 50/60HZ	
Air Supply	4 - 6 kgf/cm <sup>2</sup>	
Fixed Rail	Front	
PCB Size	460x(50 - 350)mm	535x(50 - 460)mm
Transfer Height	900 $\pm$ 20mm	
Transfer Direction	left to right or right to left(option)	
Turning Direction	90° clockwise or counter clockwise(option)	
Machine Dimension	700x700x1250mm	800x800x1250mm
Machine Weight	190kg	230kg

\* Other options available on request.



Option: T-type PCB Turn Conveyor



### PCB Inverter



### Application

The **PCB Inverter** is used for inverting / flipping the PCB's to process the board at both sides without manual handling.

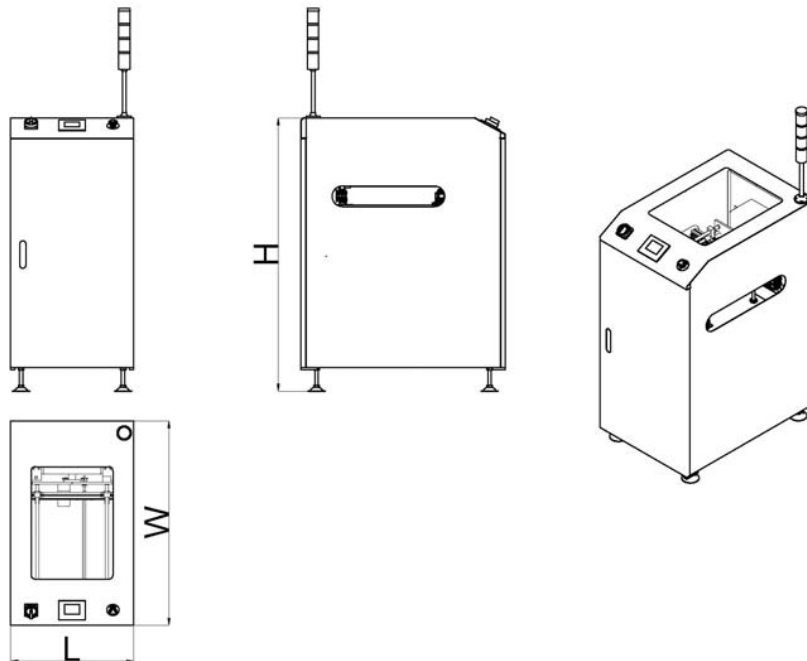
### Features

- Controlled by Omron PLC.
- Easy operation by touch screen.
- By pass mode selectable.
- Width adjustment system by hand crank.
- Sensor protection more safely.
- Tower light display for machine status.
- SMEMA compliant.
- CE certified.

### Specifications

Model	IC-350A-CT	IC-460A-CT
Power Supply	AC 110/220V $\pm$ 10V, 50/60HZ	
Air Supply	4 - 6 kgf/cm <sup>2</sup>	
Fixed Rail	Front	
PCB Size	460x(50 - 350)mm	535x(50 - 460)mm
Transfer Height	900 $\pm$ 20mm	
Transfer Direction	left to right or right to left(option)	
Machine Dimension	500x920x1300mm	600x1000x1300mm
Machine Weight	150kg	180kg

\* Other options available on request.



### Multifunction PCB Buffer



### Application

The **Multifunction PCB Buffer** is used for buffering PCB's in LIFO, FIFO, Pass-through mode between SMT machines to improve working efficiency.

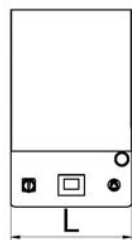
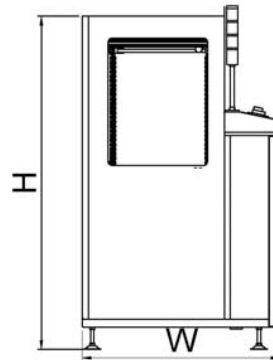
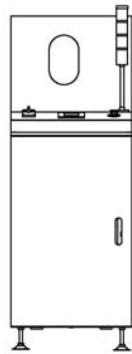
### Features

- Controlled by Omron PLC and servo motor.
- Easy operation by touch screen.
- 3 operative modes: FIFO (first in first out), LIFO (last in first out), pass through. Reject mode is available on request.
- Motorized width adjustment by touch screen button.
- 24 PCB's storage capability.
- Tower light display for machine status.
- SMEMA compliant.
- CE certified.

### Specifications

Model	BL-350A-CT	BL-460A-CT
Power Supply	AC 110/220V $\pm$ 10V, 50/60HZ	
Air Supply	4 - 6 kgf/cm <sup>2</sup>	
Fixed Rail	Front	
PCB Size	460x(50 - 350)mm	535x(50 - 460)mm
Buffer Capacity	Max. 24 PCB's at pitch 1	
Transfer Height	900 $\pm$ 20mm	
Transfer Direction	left to right or right to left(option)	
Machine Dimension	500x880x1650mm	610x995x1650mm
Machine Weight	260kg	300kg

\* Other options available on request.



### Single Magazine Buffer



### Application

The **Single Magazine buffer** can be used as a mid-line loader or unloader, as a LIFO and FIFO buffer.

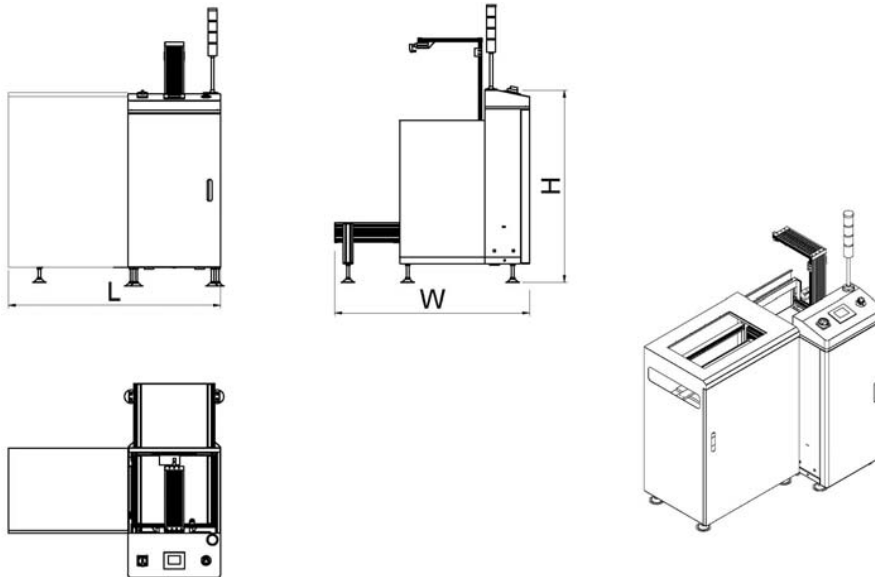
### Features

- Controlled by Omron PLC and servo motor.
- Easy operation by touch screen.
- 5 operative modes: Loader, Unloader, FIFO (first in first out), LIFO (last in first out), pass through. Reject mode is available on request.
- Multiple pitches selectable.
- 1 magazine loading capability, discharge magazine from the rear of machine.
- Tower light display for machine status.
- SMEMA compliant.
- CE certified.

### Specifications

Model	SBL-250A-ST	SBL-330A-ST	SBL-390A-ST	SBL-460A-ST
Size	M	L	LL	XL
Power	AC 110/220V $\pm$ 10V, 50/60HZ			
Air Pressure	4 - 6 kgf/cm <sup>2</sup>			
Fixed Rail	Front			
PCB Size	350x(50 - 250)mm	460x(50 - 330)mm	535x(50 - 390)mm	535x(50 - 460)mm
Transfer Height	900 $\pm$ 20mm or Specify			
Transfer Direction	left to right or right to left(option)			
Magazine Rack Size	350x320x563mm	460x400x563mm	535x460x570mm	535x530x570mm
Pitches	1 - 50, 10mm pitch			
Machine Dimension	1120x1060x1200mm	1320x1220x1200mm	1500x1340x1200mm	1500x1480x1200mm
Machine Weight	220kg	240kg	260kg	280kg

\* Other options available on request.



### PCB Traverser



### Application

The **PCB Traverser** is used for transporting boards from one line into two lines or vice versa. The orientation of the board is not changed during traversing.

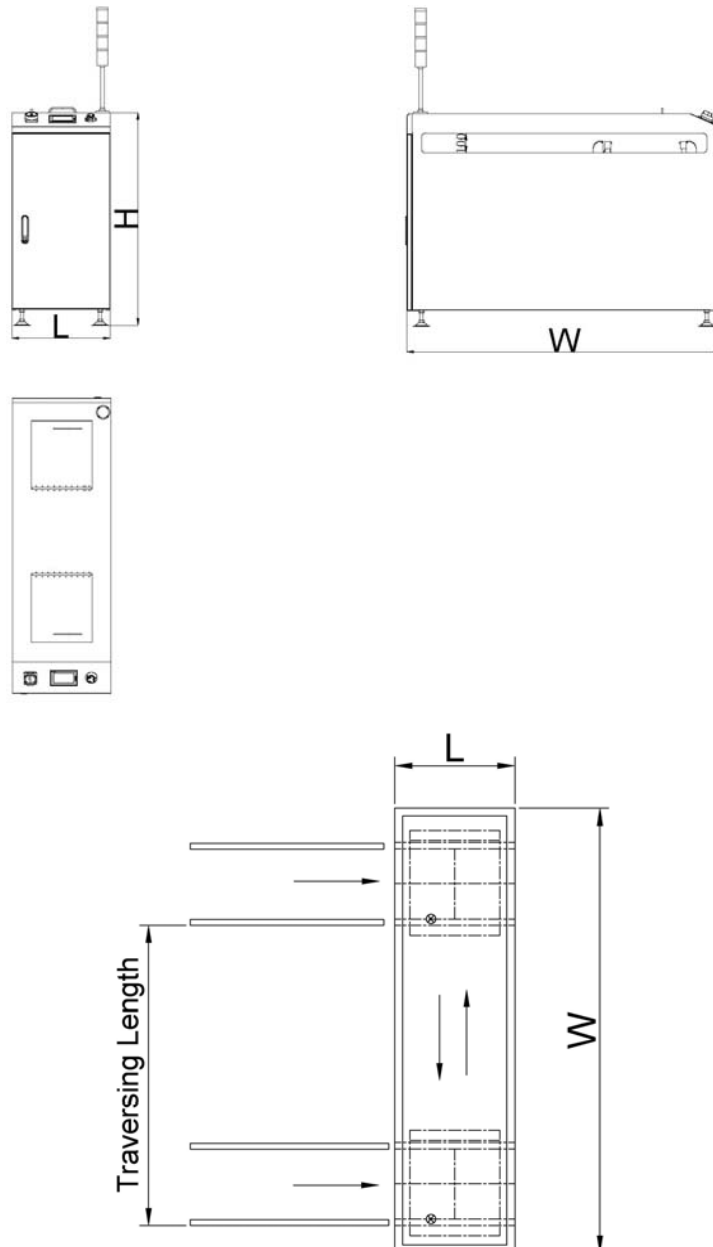
### Features

- Controlled by Omron PLC and servo motor.
- Easy operation by touch screen.
- Width adjustment by hand crank.
- By pass mode selectable.
- Traversing length specified.
- Configuration upon request.
- Front and rear stop positions by touch screen setting.
- SMEMA compliant.
- CE certified.

### Specifications

Model	SC-350A-CT	SC-460A-CT
Power Supply	AC 110/220V $\pm$ 10V, 50/60HZ	
Fixed Rail	Front	
PCB Width	50 - 350mm	50 - 460mm
Traversing Length	specified	
Transfer Height	900 $\pm$ 20mm	
PCB Direction	left to right or right to left(option)	
Machine Dimension	500*W*1100mm	550*W*1100mm
Machine Weight	Depends on traversing distance	Depends on traversing length

\* Other options available on request.





### PCB Reject Conveyor



#### Application

The **PCB Reject Conveyor** is designed for good/bad PCB separation. It can also be used when visual inspection of the PCB is required without interrupting the PCB flow. The PCB is lifted up from the conveyor by metal fingers, enabling the following PCB's to continue downstream.

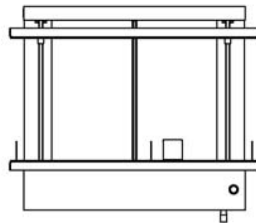
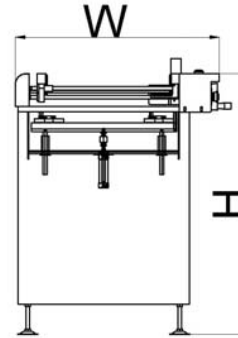
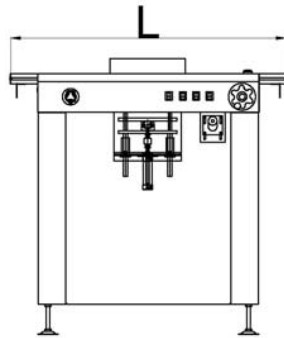
#### Features

- Controlled by Omron PLC.
- Easy operation by touch screen.
- By pass mode selectable.
- Width adjustment system by hand crank.
- Tower light display for machine status.
- SMEMA compliant.
- CE certified.

### Specifications

Model	C-100RC-M	C-100RC-L
Power Supply	AC 110/220V $\pm$ 10V, 50/60HZ	
Air Supply	4 - 6 kgf/cm <sup>2</sup>	
Fixed Rail	Front	
PCB Size	50 - 350mm	50 - 460mm
Transfer Height	900 $\pm$ 20mm	
Transfer Direction	left to right or right to left(option)	
Machine Dimension	1000x650x900mm	1000x750x900mm
Machine Weight	85kg	95kg

\* Other options available on request.



### AOI Rework Conveyor



### Application

The **AOI Rework Conveyor** is used for good/bad PCB Separation. The center segment pneumatically move up/down allowing separation without interrupting the flow of good PCB's.

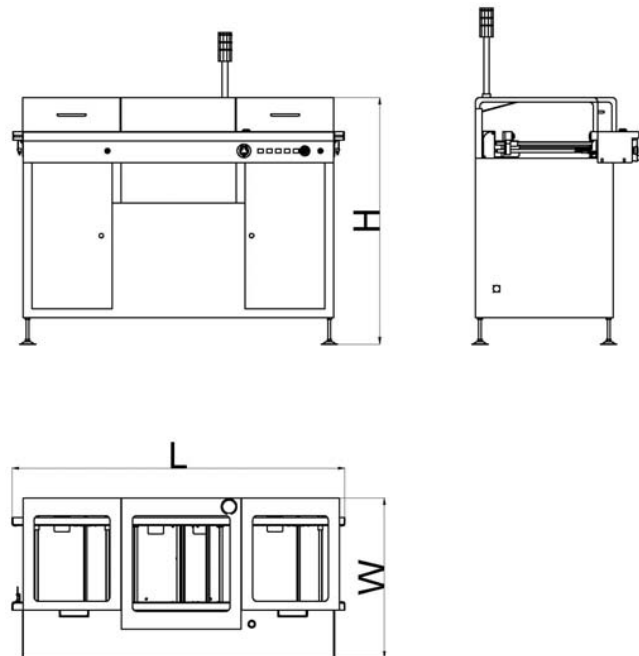
### Features

- Controlled by Omron PLC.
- Easy operation by touch screen.
- By pass mode selectable.
- 3 belt segments, providing possibility to buffer one failed PCB and three good PCB's.
- Width adjustment system by hand crank.
- Tower light display for machine status.
- SMEMA compliant.
- CE certified.

### Specifications

Model	C-150LR-3-M	C-150LR-3-L
Power Supply	AC 110/220V $\pm$ 10V, 50/60HZ	
Air Supply	4 - 6 kgf/cm <sup>2</sup>	
Fixed Rail	Front	
PCB Size	50 - 350mm	50 - 460mm
Transfer Height	900 $\pm$ 20mm	
Transfer Direction	left to right or right to left(option)	
Machine Dimension	1500x730x1100mm	1500x830x1100mm
Machine Weight	165kg	180kg

\* Other options available on request.



### Telescopic Gate Conveyor



#### Application

The **Telescopic Gate Conveyor** is used for creating a passage in the PCB assembly line to give the operator access to the rear of the production equipment. The integrated conveyor segment slides across the opening upon request from the downstream machine when a board enters the unit. The conveyor returns to its retracted home position as the board is released, leaving a normally open passage in the line.

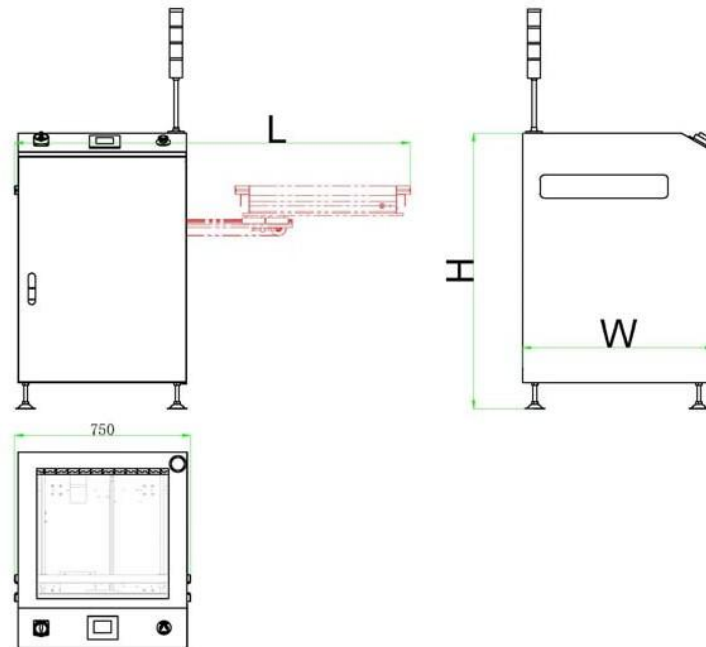
#### Features

- Controlled by Omron PLC.
- Easy operation by touch screen.
- Fully opening gate passage allows operator in/out freely.
- Through beam sensors for additional safety
- Motorized width adjustment.
- SMEMA compliant.
- CE certified.

### Specifications

Model	TG-350A-CT	TG -460A-CT
Power Supply	AC 110/220V $\pm$ 10V, 50/60HZ	
Fixed Rail	Front	
Walkway	Max. 900mm adjustable	
PCB Size	460x(50 – 350)mm	535x(50 – 460)mm
Transfer Height	900 $\pm$ 20mm	
Transfer Direction	left to right or right to left(option)	
Machine Dimension	(750-1700)x720x1180mm	(750-1700)x820x1180mm
Machine Weight	255kg	285kg

\* Other options available on request.



### Lowering Gate Conveyor



### Application

The **Lowering Gate Conveyor** is used when a passage way is required in a production line.

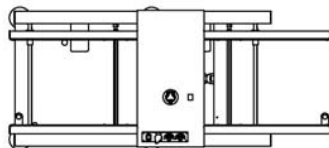
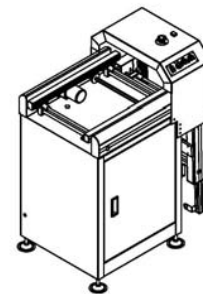
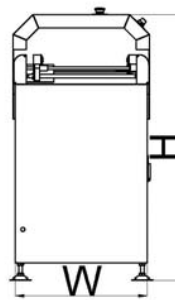
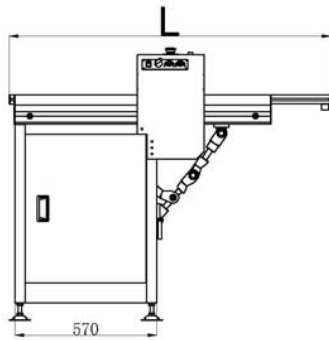
### Features

- Controlled by Omron PLC.
- Ergonomic air pressure supported opening and closing.
- Automatically gate lifting down by pushing button.
- Pneumatic locking device installed to enhance safety.
- Width adjustment by hand crank.
- SMEMA compliant.
- CE certified.

### Specifications

Model	GC-350L-CB	GC-460L-CB
Power Supply	AC 110/220V $\pm$ 10V, 50/60HZ	
Air Supply	4 - 6 kgf/cm <sup>2</sup>	
Fixed Rail	Front	
Walkway	500mm	
PCB Size	460x(50 - 350)mm	535x(50 - 460)mm
Transfer Height	900 $\pm$ 20mm	
PCB Direction	left to right or right to left(option)	
Machine Dimension	1300x530x1200mm	1300x630x1200mm
Machine Weight	130kg	150kg

\* Other options available on request.





### Manual Lift Gate Conveyor



#### Application

The **Manual Lift Gate Conveyor** is used when a passage way is required in a production line, by manual lifting the conveyor section, access is gained to the rear of the line.

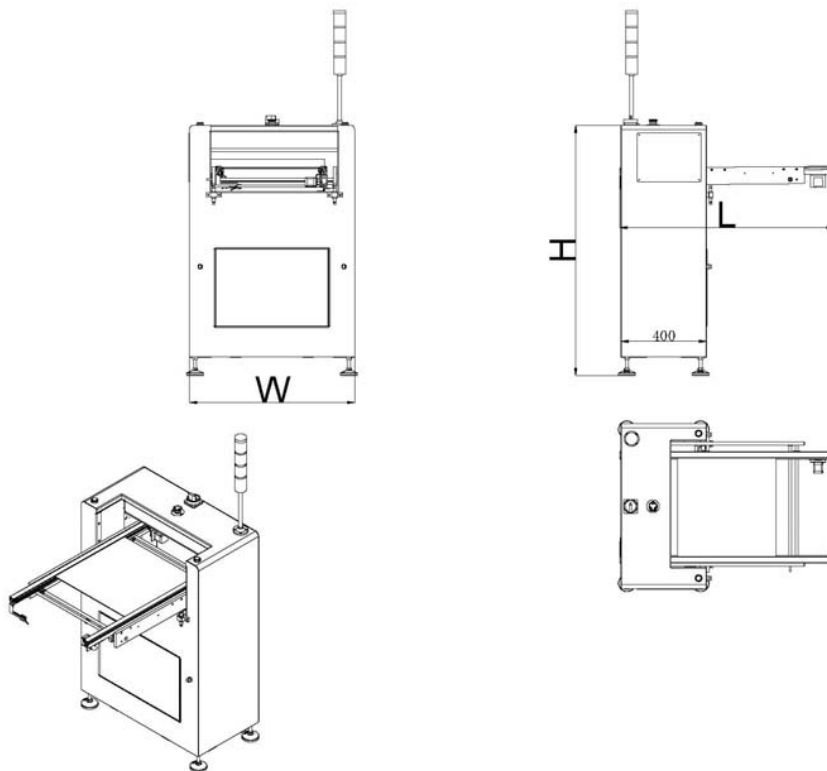
#### Features

- Controlled by Omron PLC.
- Cylinder assisted lifting motion.
- Pneumatic locking device installed to enhance safety.
- Width adjustment by hand crank.
- Tower light display for machine status.
- SMEMA compliant.
- CE certified.

### Specifications

Model	GC-350A-CB	GC-460A-CB
Power Supply	AC 110/220V $\pm$ 10V, 50/60HZ	
Air Supply	4 - 6 kgf/cm <sup>2</sup>	
Fixed Rail	Front	
Walkway	600mm	
PCB Size	460x(50 - 350)mm	535x(50 - 460)mm
Transfer Height	900 $\pm$ 20mm	
PCB Direction	left to right or right to left(option)	
Machine Dimension	1000x670x1200mm	1000x770x1200mm
Machine Weight	110kg	130kg

\* Other options available on request.



### Wave Solder Infeed Conveyor



#### Application

The **Wave Solder Infeed Conveyor** is used to transfer PCBs/Pallets into the wave soldering machine.

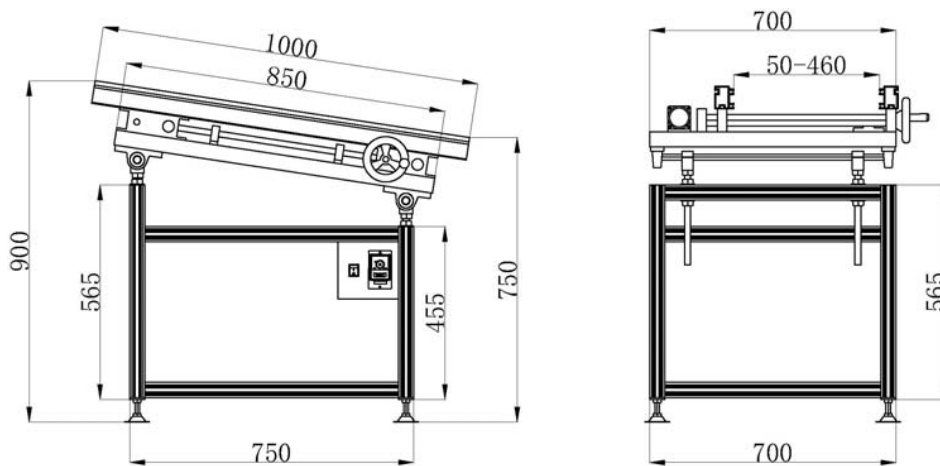
#### Features

- Robust and stable design.
- Variable conveying speed control.
- Smooth and parallel width adjustment.
- Adjustable inclination angle.
- CE certified.

### Specifications

Model	C-120LC-L
Power Supply	AC 110/220V $\pm$ 10V, 50/60HZ
Fixed Rail	Front
PCB Width	50 - 460mm
PCB Direction	left to right or right to left(option)
Machine Dimension	1000x700x900mm
Machine Weight	50kg

\* Other options available on request.



### Wave Solder Outfeed Conveyor



#### Application

The **Wave Solder Outfeed Conveyor** is used to unload PCBs from the inclined conveyors of wave solder and to then lower the soldered boards to a standard conveyor height.

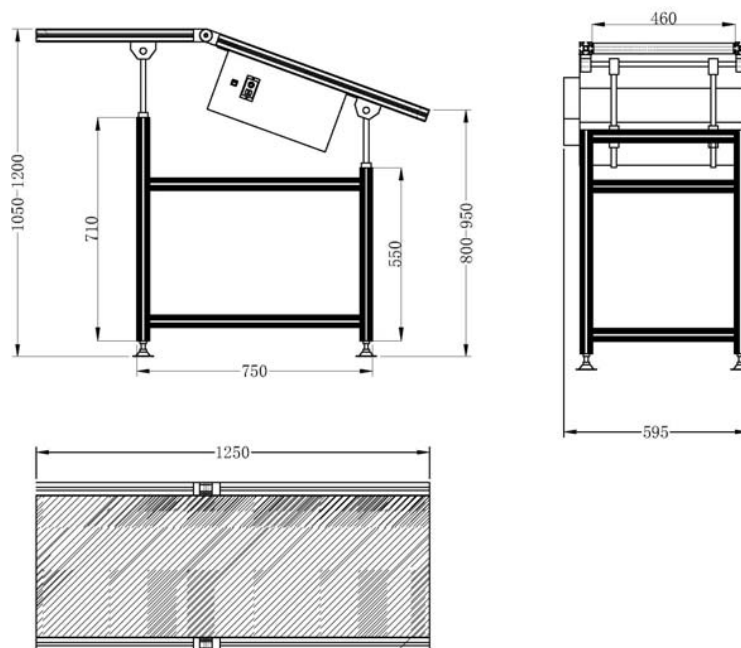
#### Features

- Angle adjustment at input and output ends.
- Heat-resistant, ESD belt with non-slip surface.
- Heavy-duty aluminum construction.
- Optional fan attachment for extra cooling capacity.
- CE certified.

### Specifications

Model	C-120LW-L
Power Supply	AC 110/220V $\pm$ 10V, 50/60HZ
Fixed Rail	Front
PCB Width	50 - 460mm
PCB Direction	left to right or right to left(option)
Machine Dimension	1200x500x(750 – 1200)mm
Machine Weight	60kg

\* Other options available on request.



### Flat Belt Conveyor



#### Application

The **Flat Belt Conveyor** is used for smooth transfer of PCBs when edged conveyors can not be used. It can be made to meet customer's requirements, it is available in any length and width.

#### Features

- Sensors controlled (optional).
- Heat-resistant, ESD belt with non-slip surface.
- Customized length and width.

#### Specifications

Power Supply	AC 110/220V $\pm$ 10V, 50/60HZ
PCB Width	customized
PCB Direction	left to right or right to left(option)
Transfer Height	900 $\pm$ 20mm
Machine Dimension	customized

\* Other options available on request.

### Adjustable Multi Magazine Loader



#### Application

The **Adjustable Multi Magazine Loader** is used at the starting of the line for loading of PCB's to the production line. The unit loads the production line automatically by pushing PCB's out of a magazine onto the conveyor of the downstream machine.

#### Features

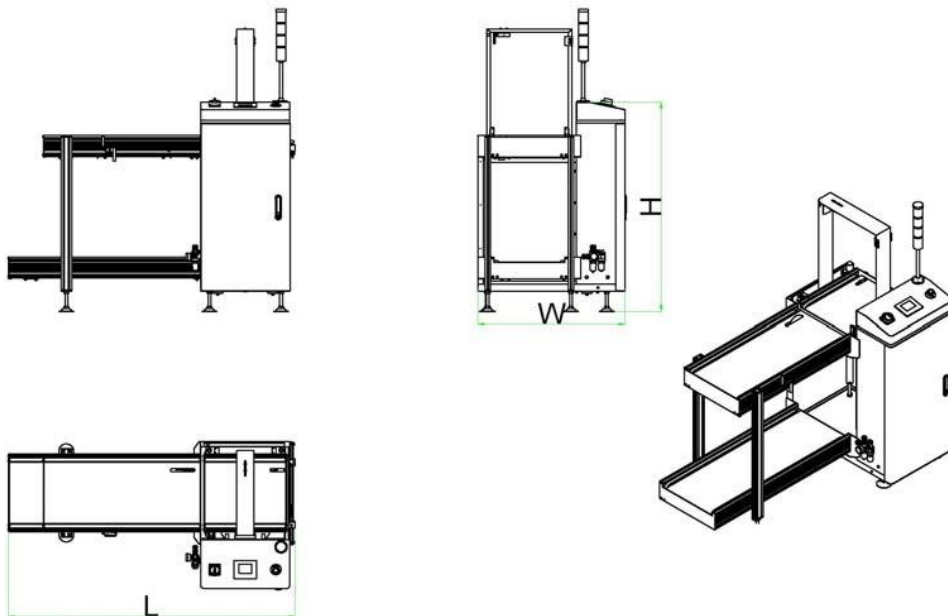
- Controlled by Omron PLC.
- Easy operation by touch screen.
- Multiple pitches selectable.
- Automatic magazine change-over.
- Tower light display for machine status.
- 3 magazines loading capability.
- SMEMA interface.
- CE certified.



### Specifications

Model	ML-460AC4-CT
Power	AC 110/220V $\pm$ 10V, 50/60HZ
Air Pressure	4 - 6 kgf/cm <sup>2</sup>
Fixed Rail	Front
PCB Size	Min.: 50x50mm, Max.: 535x460mm
Transfer Height	900 $\pm$ 20mm or Specify
PCB Direction	left to right or right to left(option)
Magazine Rack Size	355x320x563mm, 460x400x563mm, 535x460x570mm, 535x530x570mm
Pitches	1 - 50, 10mm pitch
Machine Dimension	1750x1100x1200mm
Machine Weight	290kg

\* Other options available on request.



### Features

- Controlled by Omron PLC.
- Easy operation by touch screen.
- Multiple pitches selectable.
- Automatic magazine change-over.
- Tower light display for machine status.
- 3 magazines loading capability.
- SMEMA interface.
- CE certified.

### Adjustable Multi Magazine Unloader



#### Application

The **Adjustable Multi Magazine Unloader** is used at the end of the line for unloading of PCB's from the production line. An arriving PCB is taken up by the attached conveyor and then pushed into the magazine by the pusher. The magazine indexes to the next position and is ready for the following unloading cycle.

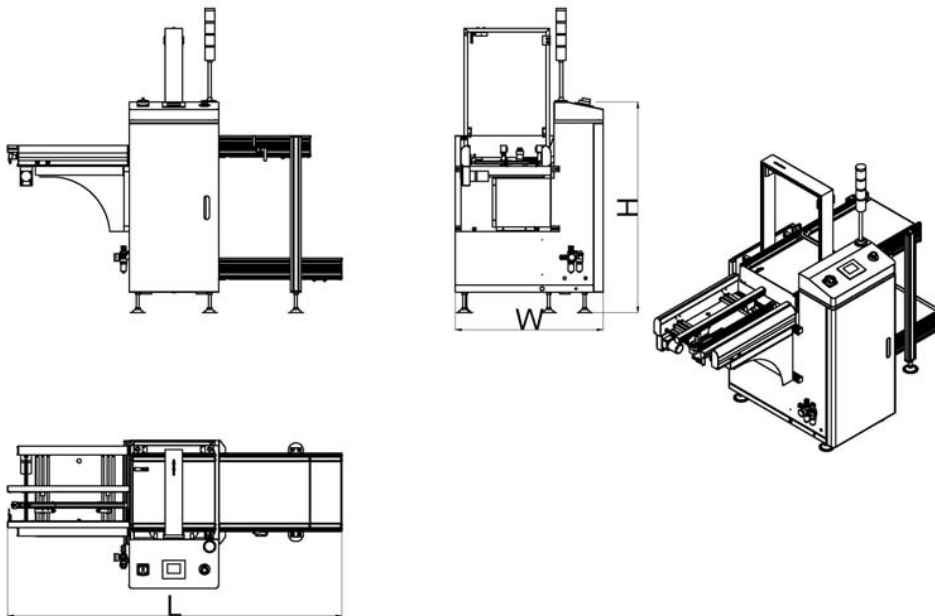
#### Features

- Controlled by Omron PLC.
- Easy operation by touch screen.
- Multiple pitches selectable.
- Automatic magazine change-over.
- Tower light display for machine status.
- 3 magazines loading capability.
- SMEMA interface.
- CE certified.

### Specifications

Model	MU-460AC4-CT
Power	AC 110/220V $\pm$ 10V, 50/60HZ
Air Pressure	4 - 6 kgf/cm <sup>2</sup>
Fixed Rail	Front
PCB Size	Min.: 50x50mm, Max.: 535x460mm
Transfer Height	900 $\pm$ 20mm or Specify
PCB Direction	left to right or right to left(option)
Magazine Rack Size	355x320x563mm, 460x400x563mm, 535x460x570mm, 535x530x570mm
Pitches	1 - 50, 10mm pitch
Machine Dimension	2500x1100x1150mm
Machine Weight	330kg

\* Other options available on request.



### Features

- Controlled by Omron PLC.
- Easy operation by touch screen.
- Multiple pitches selectable.
- Automatic magazine change-over.
- Tower light display for machine status.
- 3 magazines loading capability.
- SMEMA interface.
- CE certified.